

Specification for Buzzer	Page	3/9
	Revision No.	1,.0
	Drawing No.	OEM6507R
Model No. : KPI-G4325-E-6507		

1. 范围 Scope

This product specification is applied to the piezoelectric sounder in alarm systems. Please contact us when using this product for any other applications than described in the above.

本规格书适用于压电式蜂鸣器，通常它用在系统中做报警或提示的蜂鸣器用，如果将该产品用于其它领域，请与我们联系。

2. 概要 General

2.1 Out-Diameter : Ø43mm

外径: Ø43 mm

2.2 Height : 33mm

高度: 33 mm

2.3 Weight : 40 gr.

重量: 40克

2.4 Case Material/Color : PBT/Black

壳体材质/颜色: PBT/黑

3. 额定极限条件 Maximum Rating

	项目 Item	规格 Specification
3.1	最高输入电压 Maximum input Voltage	12-36VDC
3.2	工作温度范围 Operating Temperature Range	-30 ~ +80℃
3.3	储存温度范围 Storage Temperature Range	-40 ~ +85℃

Specification for Buzzer	Page	4/9
	Revision No.	1,,0
	Drawing No.	OEM6507R

Model No. : KPI-G4325-E-6507

4. 电性能 Electrical Characteristics

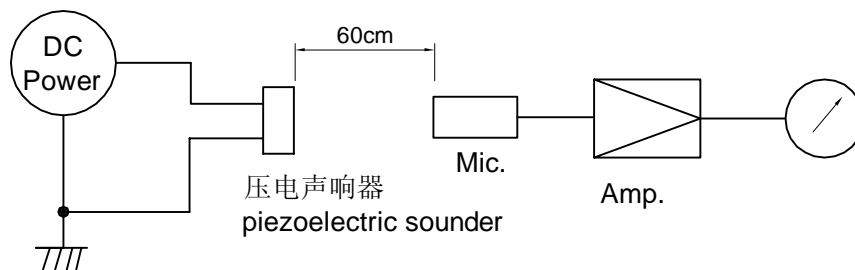
	项目 Item	规格 Specification
4.1	声压 Sound Pressure Level	75± 10dB at 12VDC/30cm
4.2	频率 Resonant Frequency	2.9± 0.5KHz
4.3	电流 Max.Rated Current	20mA at 12VDC
4.4	音调 Tone Nature	Continuous

测试条件参见下项
Refer to next item for measuring method.

5. 测试方法 Measuring Method

5.1 声压测试线路 S.P.L. Measuring Circuit

输入信号:12VDC
Input Signal:12VDC



MIC : ND10 普通声级计或等同品
MIC : ND10 Sound Meter or equivalent

稳压电源 : DF1730SL2A 或等同品
DC Power Supply : DF1730SL2A or equivalent

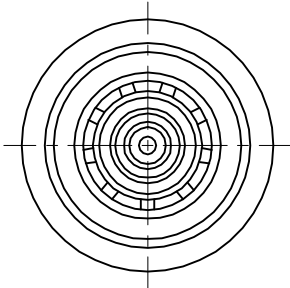
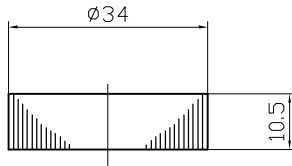
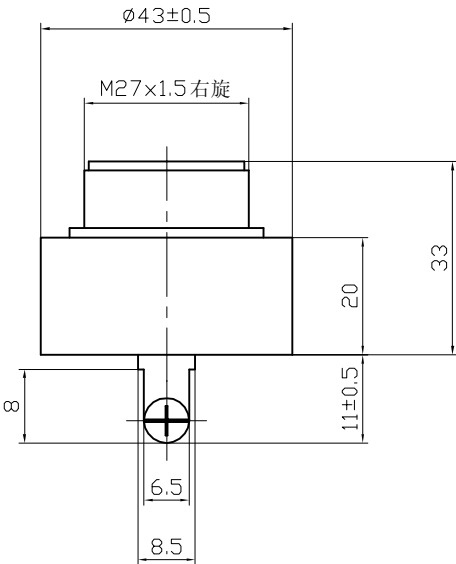
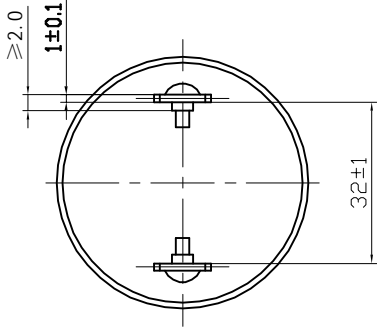
5.2 测试环境 Measuring Condition

温度+25± 3℃, 湿度60± 10%R.H.标准测试状态,在没有疑问的场合,可以在温度+5~+35℃,湿度45~85%R.H.的范围内测试.

Part shall be measured under a condition (Temperature :+5 to +35 °C,Humidity :45 to 85%R.H.)unless the standard condition (Temperature :+25 ±3℃,Humidity :60 ±10 %R.H.) is regulated measure.

Specification for Buzzer	Page	7/9
	Revision No.	1,0
Model No. : KPI-G4325-E-6507	Drawing No.	OEM6507R

8. Dimensions



FIRST ANGLE PROJECTION

UNIT : mm
Tolerance : ±0.5